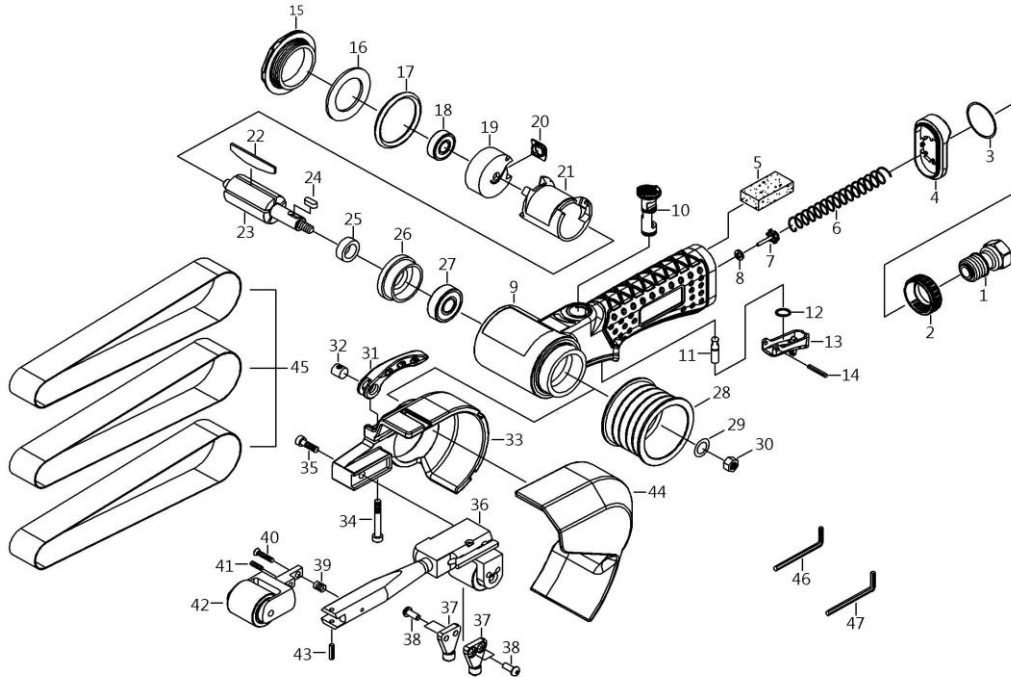


AIR BELT SANDER (1-1/5"X21-1/4")



PARTS LIST

NO	PART NO	DESCRIPTION	Q'TY	UNIT PRICE (US\$/PC) (FOB Taiwan)
1	ST706A01	AIR INLET	1	2.4
2	ST706A02	EXHAUST SLEEVE	1	1
3	ST706A03	O-RING (24*1)	1	0.3
4	ST706A04AS	EXHAUST COVER SET	1	1.6
5	ST70603	SILENCER (60L)	1	0.5
6	ST70604	SPRING	1	0.7
7	ST288315	VALVE	1	0.5
8	ST288316	WASHER	1	0.4
9	ST70807	HOUSING	1	17.1
10	ST70608AS	REGULATOR SET	1	1.3
11	ST70612AS	VALVE STEM SET	1	0.6
12	2HG-16A	SNAP RING (STW-9)	1	0.4
13	ST-70614	LEVER	1	1.8
14	12012.1	SPRING PIN (3*24L)	1	0.3
15	ST70616	CAP	1	2.7
16	ST70869	WASHER (22*32.3*1.5t)	1	1
17	90443	O-RING (AS029)	1	0.3
18	22536A	BEARING (626ZZ)	1	2.4
19	ST70819	REAR PLATE	1	5.7
20	ST70868	PACKING	1	0.7
21	ST29022AAS	CYLINDER SET	1	10.4
22	ST70822	ROTOR BLADE	6	0.7
23	ST70823A	ROTOR	1	9.6
24	ST70624	KEY	1	0.7
25	ST25125	BEARING SPACER	1	0.8

HAS-BS709EA

DEC. 2023

NO	PART NO	DESCRIPTION	Q'TY	UNIT PRICE (US\$/PC) (FOB Taiwan)
26	ST70625	FRONT PLATE	1	5.2
27	70048A	BEARING (6000ZZ)	1	3.2
28	ST70927	DRIVE PULLEY	1	12.7
29	ST70828	WASHER (8.4*15.5*1.6t)	1	0.3
30	ST70829A	NUT (M8*1P)	1	0.5
31	ST187550	TRIGGER	1	2.1
32	ST187551	BUSHING	1	1.3
33	ST70832	GUARD HUB	1	6
34	BT246652-4A	SCREW (M4*27L)	1	0.5
35	26043	SCREW (M5*0.8P*16L)	1	0.3
36	ST709E48AS	TENSION BAR SET	1	67.8
37	ST707E41AS	BRACKET SET	2	6.6
38	81447	SCREW	4	0.4
39	ST70649	SPRING	1	0.3
40	ST70851	SCREW (M3*16L)	1	0.3
41	ST70852A	SCREW (M4*10L)	1	0.3
42	ST70950AS	IDLE PULLEY SET	1	31.8
43	ST70639	SPRING PIN (2.5x10L)	1	0.3
44	ST70834	SHROUD	1	3.2
45	ST70957-40#	SANDING BELT (40#)	1	3.5
45	ST70957-60#	SANDING BELT (60#)	1	
45	ST70957-80#	SANDING BELT (80#)	1	
46	ST70659	HEX (2mm)	1	0.3
47	23039	HEX (3mm)	1	0.4

Consumable parts No. 6, 7, 8, 18, 22, 27, 36, 42