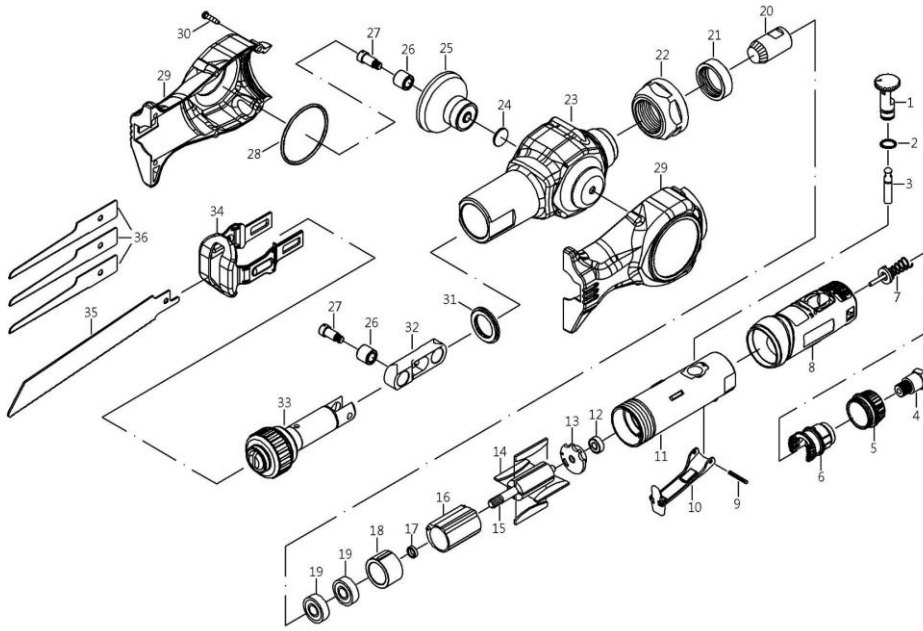


# AIR SAW



## PARTS LIST

NO	PARTS NO	DESCRIPTION	Q'TY	UNIT PRICE (US\$/PC) (FOB Taiwan)
1	ST200A37AS	REGULATOR SET	1	1.5
2	OB-30	SNAP RING	1	0.3
3	ST200A33AAS	VALVE STEM SET	1	0.5
4	ST22003	AIR INLET	1	1.4
5	ST20010B-1AS	EXHAUST SLEEVE SET	1	1.1
6	ST20022B	CONE MUFFLER	1	1
7	ST200A44AS	VALVE SET	1	1.1
8	ST-200A14BG	PROTECTING RUBBER	1	3.9
9	12012.1	SPRING PIN (3*24L)	1	0.3
10	ST200A13	LEVER	1	2.8
11	ST200A15	HOUSING	1	7.2
12	20312	BEARING (696ZZ)	1	2.6
13	ST70017	REAR PLATE	1	2.3
14	20019	ROTOR BLADE	4	0.5
15	ST288321	ROTOR	1	6.3
16	ST70021AS	CYLINDER SET	1	3.7
17	20022	BEARING SPACER	1	0.8
18	ST21023	FRONT PLATE	1	3.4
19	21024	BEARING (608ZZ)	2	2.3

NO	PARTS NO	DESCRIPTION	Q'TY	UNIT PRICE (US\$/PC) (FOB Taiwan)
20	ST220B26	BEVEL GEAR (8T)	1	10.6
21	ST22019	NUT	1	1.8
22	ST21027	CLAMP NUT	1	2.6
23	ST220B29AS	HEAD SET	1	19.2
24	ST22030	WASHER (15*1t)	1	0.4
25	ST220B33AS	BEVEL GEAR SET (33T)	1	30.8
26	ST25441	BEARING (HK0609)	2	4.5
27	ST22035	SCREW (M5*0.8P)	2	1
28	ST220A39	O-RING	1	0.6
29	ST220D40RL	HEAD GUARD SET	1	2.8
30	ST2922043	SCREW (M3*16)	6	0.3
31	ST220B39AS	WASHER SET	1	1.2
32	ST22039	DRIVE SHAFT	1	7.4
33	ST220B49AS	HOLDER CAP SET	1	21.4
34	ST220D45	ATTACHMENT	1	3.1
35	ST2204314	SAW (14T)	1	22.4
36	ST220A6014	SAW (14T)	1	
36	ST220A6018	SAW (18T)	1	
36	ST220A6024	SAW (24T)	1	

Consumable parts No. 12, 14, 18, 19, 23, 25, 32, 35, 36  
 No. 35 & 36: US \$ 22.40/ set (5 pcs of each part, 20 pcs in total)

HCT-BS220

JAN. 2024