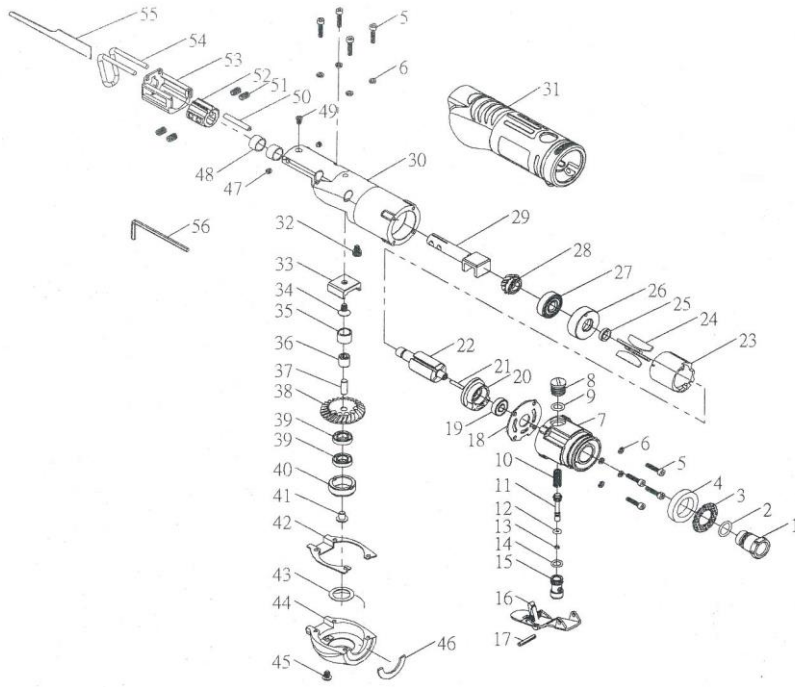


# AIR SAW



**HCT-BS354**

Consumable parts No.8, 9, 10, 11, 12, 13, 14, 15, 24, 51, 55

Index No.	Parts No.	Description	Q'ty	UNIT PRICE (US\$/PC) (FOB Taiwan)
1	354001	Inlet Bushing	1	2.1
2	ORP-AS013	O-Ring	1	0.3
3	354002	Exhaust Nut	1	0.8
4	602026	Muffler	1	1
5	B2-0315A	Screw	8	0.3
6	SWI-030A	Spring Washer	8	0.3
7	354003	Valve Case	1	1.2
8	AR-38012	Throttle Valve Plug	1	1.4
9	ORP-AS011	O-Ring	1	0.3
10	AR-38002	Spring	1	0.4
11	354017	Valve Stem	1	1.2
12	ORP-0030	O-Ring	1	0.3
13	352037	O-Ring	1	0.3
14	ORP-S7	O-Ring	1	0.3
15	354019	Valve Bushing	1	1.5
16	377026	Safety Lever	1	1.8
17	SP-30180	Pin	1	0.3
18	354004	Washer	1	1
19	BB-06962	Ball Bearing	1	3
20	354020	Rear End Plate	1	3.4
21	SP-25120	Spring Pin	1	0.3
22	375D03	Rotor	1	5.4
23	3200-24	Cylinder	1	6.4
24	XP-ADG14-33	Blades	4	0.9
25	309A21	Spacer	1	0.9
26	354022	Front End Plate	1	3.4
27	BB-06082	Ball Bearing	1	2.8
28	354005	Pinion Gear	1	7.6

Index No.	Parts No.	Description	Q'ty	UNIT PRICE (US\$/PC) (FOB Taiwan)
29	354006	Shaft	1	15.2
30	354008	Motor Housing	1	24.6
31	354007	Grip Rubber	1	2.3
32	B2-0405A	Hexagon Socket Head Bolt	1	0.3
33	354009	Slippery Chuck	1	2.3
34	S5-0508C	Screw	1	0.3
35	354010	Drive Roller	1	3.5
36	HK-0509	Needle Bearing	1	3.5
37	NR-50128	Pin	1	0.5
38	354011	Bevel Gear	1	13.9
39	BB-0688	Ball Bearing	2	3.4
40	354015	Washer	1	3.5
41	BS-0506	Screw	1	0.3
42	354018	Washer	1	0.9
43	PW-1420-0.5	Washer	1	0.5
44	354012	Crank Case	1	6.6
45	BS-0406	Screw	1	0.3
46	354013	Washer	1	0.5
47	SS-0403A	Set Screw	2	0.3
48	BM1008	Bush	2	0.9
49	S5-0306A	Screw	1	0.3
50	NR-40278	Pin	1	0.5
51	SS-0508A	Set Screw	4	0.3
52	354016	Collet	1	6.4
53	354014	Slide Pin Case	1	1.1
54	354023	Work Guide	1	1
55	301035A-COBALT	Saw Blade(32T)	1	1.1
56	317049	Hexagon Wrenchen Key	1	0.5