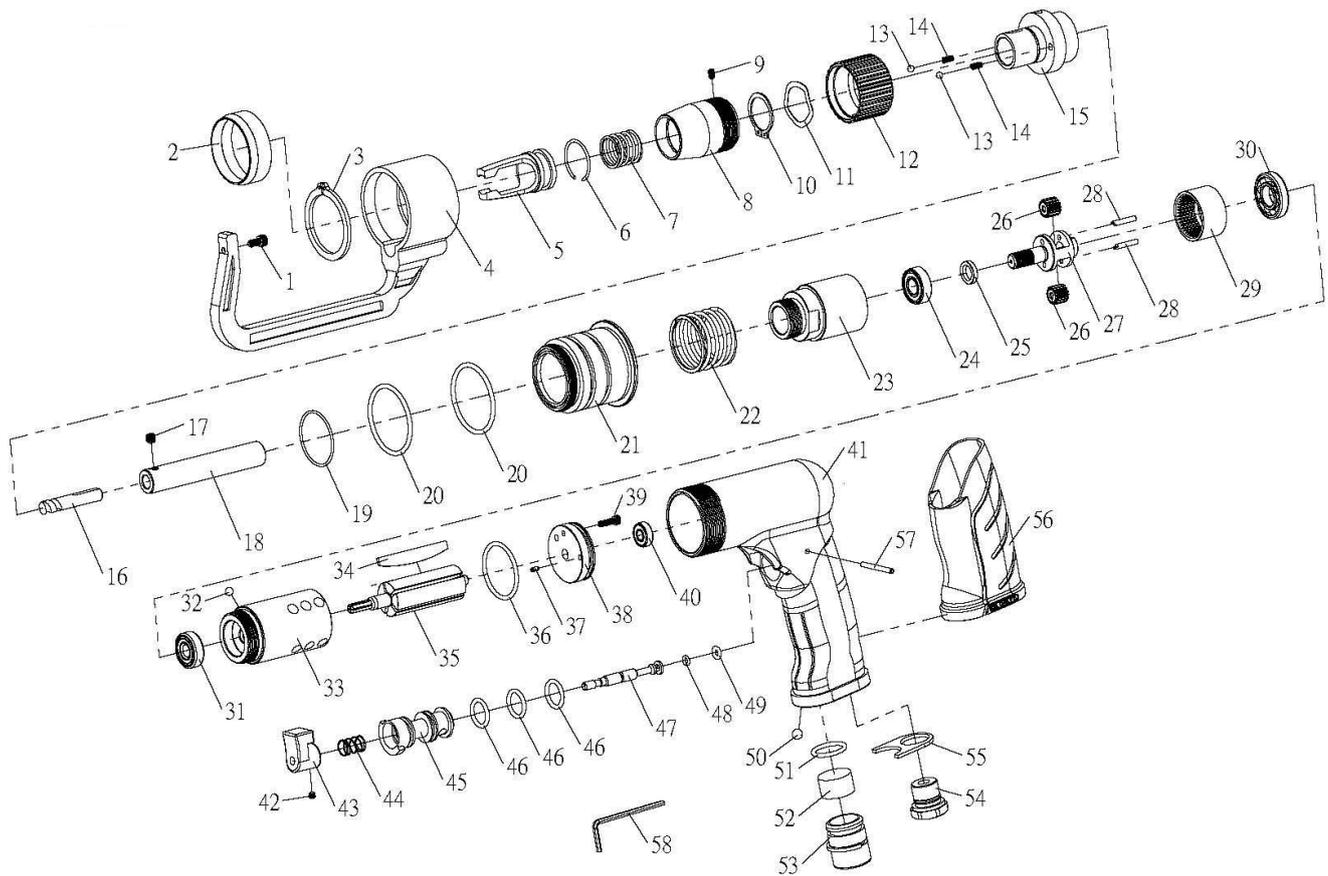


SPOT WELD DRILL W/ HOOK



HDR-317HB

Consumable Parts: No. 6, 7, 26, 34

UNIT PRICE (US\$/PC) (FOB Taiwan)	INDEX NO.	PARTS.NO.	DESCRIPTION	QTY
0.3	1	H1-0408	Screw	1
1.8	2	317HN47	Lock Nut	1
1	3	317HN48	Retaining Ring	1
16.5	4	317HN50	Arm (2")	1
5.1	5	317042	Supporter	1
0.4	6	317041	Retainer	1
0.5	7	317040	Spring	1
5.8	8	317HN39	Attachment	1
0.3	9	H2-0406	Set Screw (M4x6)	1
0.4	10	S-022	Retaining Ring (S22)	1
0.3	11	317034	Wave Washer	1
3.1	12	317033#R	Nut	1
0.3	13	SB-005	Ball (Ø4)	2
0.3	14	309A41	Spring	2
5.4	15	317HN26	Gear Housing	1
0.2	16	317043	8mm Drill Bits	1
0.4	17	H2-0505	Set Screw (M5x5)	1
2.8	18	317036	Bit Holder	1
0.3	19	P-32150	O-Ring (ID32x1.5)	1
0.3	20	P-3935-2.62	O-Ring (ID39.35x2.62)	2
5.5	21	317HB17	Clamp Nut	1
0.5	22	317HN23	Spring	1
3.4	23	317HN25	Gear Case	1
1.6	24	B-R6T	Ball Bearing	1
0.4	25	317027	Washer	1
1.1	26	317025	Planet Gear	1
5.4	27	317024	Planet Carrier	1
0.5	28	317026	Pin (Ø3x17.8)	1
3.3	29	317029	Internal Gear	1

INDEX NO.	PARTS.NO.	DESCRIPTION	QTY	UNIT PRICE (US\$/PC) (FOB Taiwan)
30	B-R8T(EE4)	Ball Bearing	1	2.2
31	B-608T	Ball Bearing	1	2.2
32	SB-050M	Ball (Ø5)	1	0.3
33	317HN20	Cylinder	1	6.1
34	317016	Rotor Blades	5	0.5
35	317017	Rotor	1	4.6
36	317HN17	O-Ring (ID31.5x2.4)	1	0.4
37	SPP-25050	Spring Pin (Ø2.5x5)	1	0.3
38	317HN16	Rear Plate	1	2.3
39	H1-0312	Set Screw (M3x12L)	1	0.4
40	B-696T	Ball Bearing (696ZZ)	1	2.2
41	317HD01P	Housing	1	12.9
42	H2-0404	Set Screw (M4x4)	1	0.3
43	317012	Trigger	1	1.1
44	305021	Valve Spring	1	0.3
45	317010	Valve Bushing	1	2.3
46	P-14	O-Ring (ID13.8x2.4)	3	0.3
47	317008	Valve Stem	1	1.2
48	P-0035	O-Ring (ID3.5x1.5)	1	0.3
49	P-3935-2.62	O-Ring (ID3.9x2.25x2)	1	0.3
50	SB-008	Steel Ball (1/4")	1	0.3
51	P-18	O-Ring (ID17.8x2.4)	1	0.3
52	XPA0068	Muffler Insert	1	0.4
53	317HD65	Muffler Nut	1	0.8
54	306003	Air Inlet	1	0.8
55	317HD66	Muffler Retainer	1	0.4
56	317HD02	Housing Cover	1	1.1
57	NR-30318	Pin (Ø3x31.8)	1	0.3
58	L2-2.5MM	Hex. Wrench (2.5MM)	1	0.4