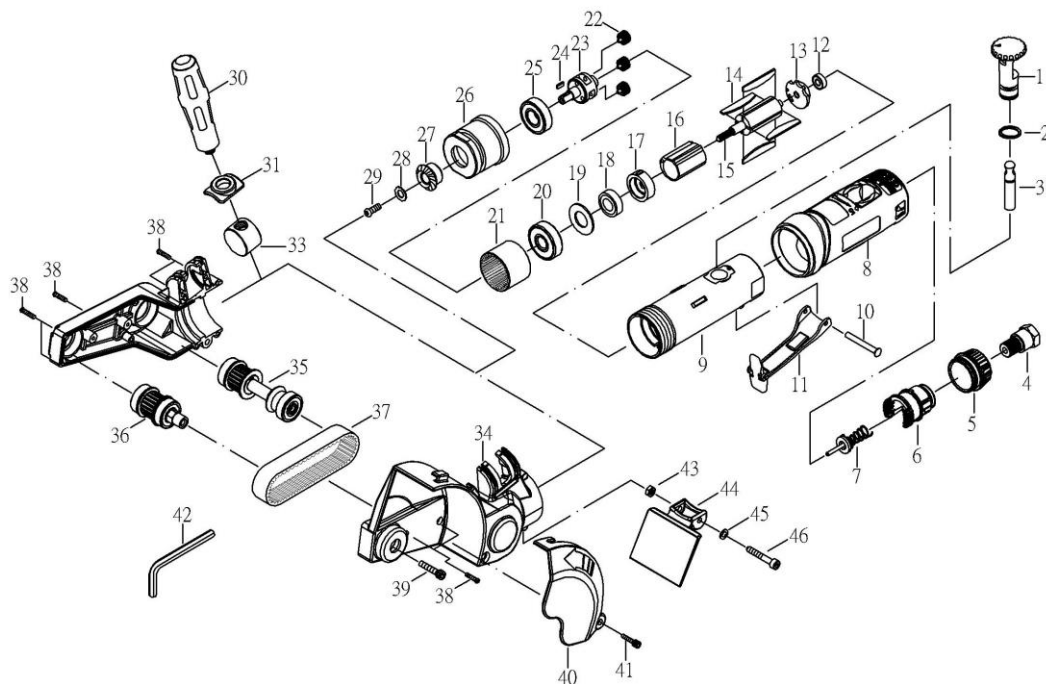


# REMOVE-PRO TOOL



## PARTS LIST

NO	PART NO	DESCRIPTION	Q'T Y	UNIT PRICE (US\$/PC) (FOB Taiwan)
1	ST200A37AS	REGULATOR SET	1	1.6
2	OB-30	SNAP RING	1	0.3
3	ST200A33AAS	VALVE STEM SET	1	0.6
4	ST200A09	AIR INLET	1	1.4
5	ST20010BAS	EXHAUST SLEEVE SET	1	1.1
6	ST20022B	CONE MUFFLER	1	1
7	ST200A44AS	VALVE SET	1	1.1
8	ST-200A14BG	PROTECTING RUBBER	1	4.1
9	ST200A15	HOUSING	1	7.4
10	12012.1	SPRING PIN	1	0.3
11	ST200A13	LEVER	1	2.9
12	20312	BEARING(696ZZ)	1	2.7
13	ST70017	REAR PLATE	1	2.4
14	20019	ROTOR BLADE	4	0.5
15	ST165021	ROTOR (9T)	1	7.4
16	ST288322AS	CYLINDER SET	1	8.7
17	ST70023	FRONT PLATE	1	2.9
18	21024	BEARING(608ZZ)	1	2.4
19	50310	WASHER	1	0.4
20	OB-31	BEARING(6001Z)	1	4.1
21	ST28027	THREAD RING GEAR	1	4.9
22	ST165029AS	IDLER GEAR SET (16T)	3	2.8
23	ST246631A	GEAR PLATE	1	14.3

## HMSR-280

DEC. 2023

NO	PART NO	DESCRIPTION	Q'T Y	UNIT PRICE (US\$/PC) (FOB Taiwan)
24	ST246632	SLIDING KEY	1	1
25	24531A	BEARING (6200ZZ)	1	2.7
26	ST28034	CLAMP NUT	1	13.8
27	ST246635	BEVEL GEAR	1	8.5
28	ST246636	WASHER	1	0.7
29	ST288542	SCREW	1	0.3
30	BT87044-1	HANDLE	1	4.3
31	ST28048	HANDLE RING	1	1
33	ST28047AS	NUT SET	1	5.6
34	ST28038R.L	PLASTIC HOUSING	1	18.5
35	ST246642AS	BELT DRIVE SHAFT SET	1	33.2
36	ST246645.1AS	BELT DRIVE SHAFT SET (M6)	1	24.1
37	ST246643	TOOTHED BELT	1	18.8
38	ST246646	SCREW (3*18L)	11	0.3
39	BT246659.1	SCREW (M6*25L)	1	0.5
40	ST28054	COVER	1	2.1
41	2HG-52	SCREW	1	0.3
42	60929	HEX (5MM)	1	0.6
43	ST21538	NUT	1	0.3
44	ST28066	STOP BOARD	1	4.6
45	81448	WASHER	1	0.3
46	BT246652-4	SCREW	1	0.3

Consumable parts No. 12, 14, 18, 20, 21, 22, 27, 35, 36, 37