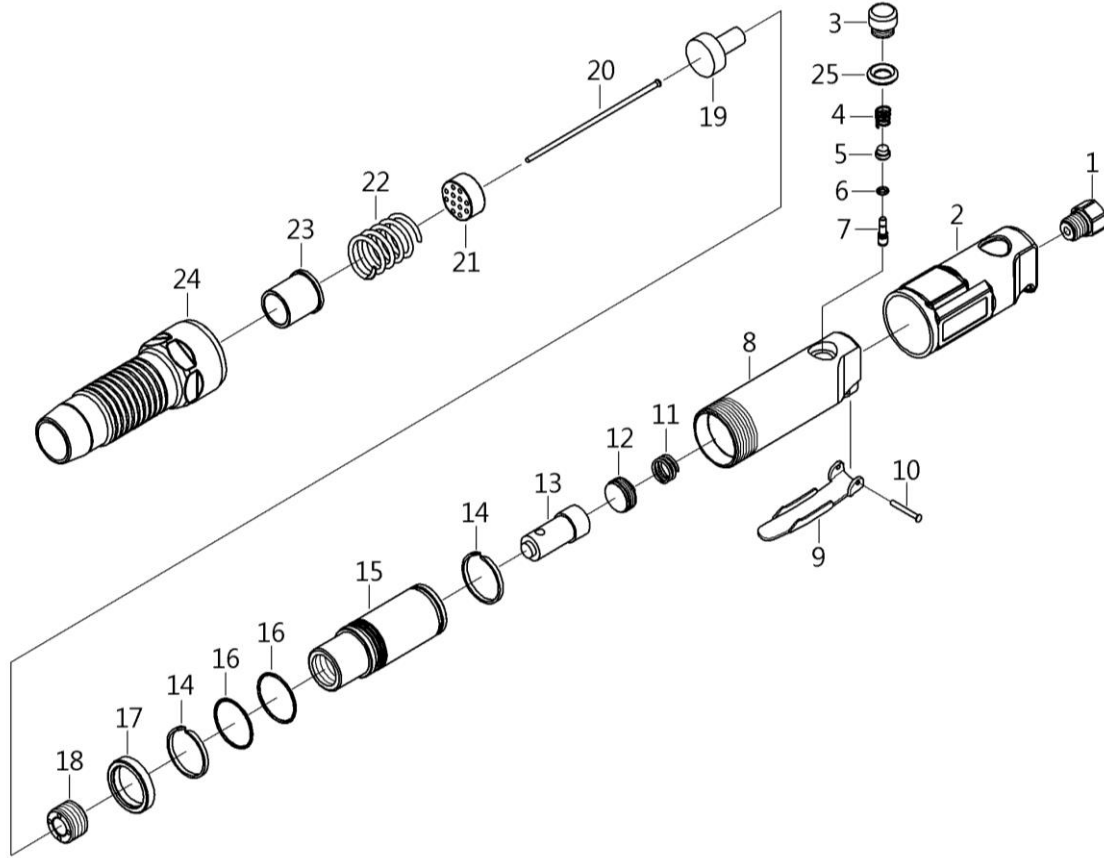


NEEDLE SCALER (12 NEEDLES)



PARTS LIST

| NO | PARTS NO | DESCRIPTION | Q'TY | UNIT PRICE (US\$/PC) (FOB Taiwan) |
|----|----------|---------------------|------|---|
| 01 | 70426 | AIR INLET | 1 | 1.4 |
| 02 | HM20102 | PROTECTING RUBBER | 1 | 2.9 |
| 03 | 70427 | SCREW | 1 | 0.6 |
| 04 | 70428 | SPRING | 1 | 0.3 |
| 05 | 70429 | VALVE STEM BUSHING | 1 | 0.3 |
| 06 | OB-04 | O-RING (3.5*1.4) | 1 | 0.3 |
| 07 | HM20107 | VALVE STEM | 1 | 0.9 |
| 08 | HM20108 | HOUSING | 1 | 10.2 |
| 09 | 70013BK | LEVER | 1 | 1.6 |
| 10 | 70432BK | SPRING PIN (3*24) | 1 | 0.3 |
| 11 | HM20111 | SPRING (34*2.8*16L) | 1 | 1.3 |
| 12 | HM20112 | REAR VALVE BLOCK | 1 | 2.9 |
| 13 | HM20113 | PISTON | 1 | 5.2 |

HNS-201

DEC. 2023

| NO | PARTS NO | DESCRIPTION | Q'TY | UNIT PRICE (US\$/PC) (FOB Taiwan) |
|----|-----------|------------------------|------|---|
| 14 | HM20114-1 | WEAR RING (3*1.5*103L) | 2 | 2.7 |
| 15 | HM20115 | CYLINDER | 1 | 35.7 |
| 16 | HM20116 | O-RING (32*1.5) | 2 | 0.6 |
| 17 | HM20117 | RUBBER RING | 1 | 1.4 |
| 18 | HM20118 | CHISEL BUSHING | 1 | 2.7 |
| 19 | HM20119 | NEEDLE DRIVER | 1 | 5.2 |
| 20 | HM20120 | NEEDLE (180L) | 12 | 4.9 |
| 21 | HM20121 | NEEDLE HOLDER | 1 | 4.9 |
| 22 | HM20122 | NEEDLE HOLDER SPRING | 1 | 1.2 |
| 23 | HM20123 | NEEDLE BUSHING | 1 | 2.9 |
| 24 | HM20124 | NEEDLE TUBE | 1 | 11.6 |
| 25 | 50331 | O-RING (P10) | 1 | 0.3 |

Consumable parts No. 20: US\$ 4.9/ set (12 pcs)