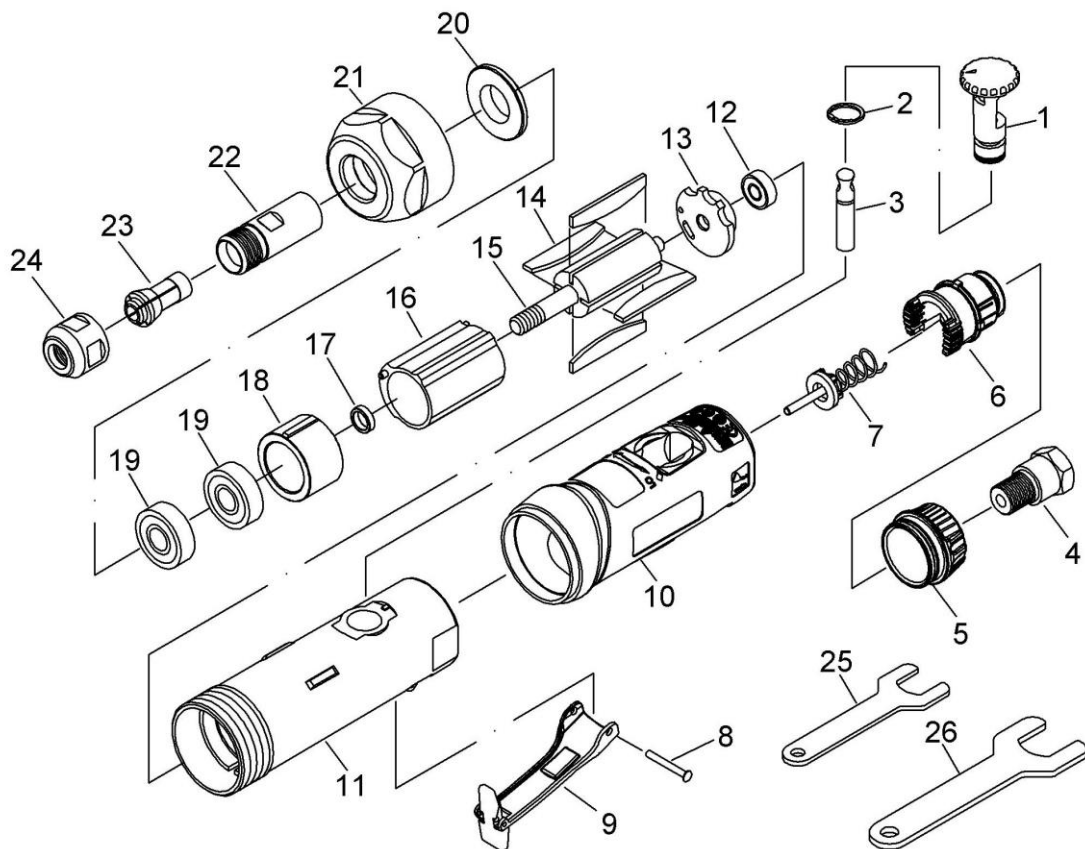


AIR DIE GRINDER



PARTS LIST

NO	PARTS NO	DESCRIPTION	Q'T Y
1	ST200A37AS	REGULATOR SET	1
2	OB-30	SNAP RING	1
3	ST200A33AAS	VALVE STEM SET	1
4	70009	AIR INLET	1
5	ST20010BAS	EXHAUST SLEEVE SET	1
6	ST20022B	CONE MUFFLER	1
7	ST200A44AS	VALVE SET	1
8	12012.1	SPRING PIN	1
9	ST200A13	LEVER	1
10	ST-200A14BG	PROTECTING RUBBER	1
11	ST200A15	HOUSING	1
12	20312	BEARING (696ZZ)	1
13	ST70017	REAR PLATE	1

Consumable parts No. 12, 14, 19

NO	PARTS NO	DESCRIPTION	Q'T Y
14	20019	ROTOR BLADE	4
15	ST288321	ROTOR	1
16	ST70021AS	CYLINDER SET	1
17	20022	BEARING SPACER	1
18	ST21023	FRONT PLATE	1
19	21024	BEARING (608ZZ)	2
20	20025	WASHER	1
21	ST20026	CLAMP NUT	1
22	20027	SPINDLE	1
23	21036	COLLET	1
24	21037	COLLET NUT	1
25	BT21038-14	STOP SPANNER (14MM)	1
26	BT21039-19	STOP SPANNER (19MM)	1

HAD-50200

DEC. 2023