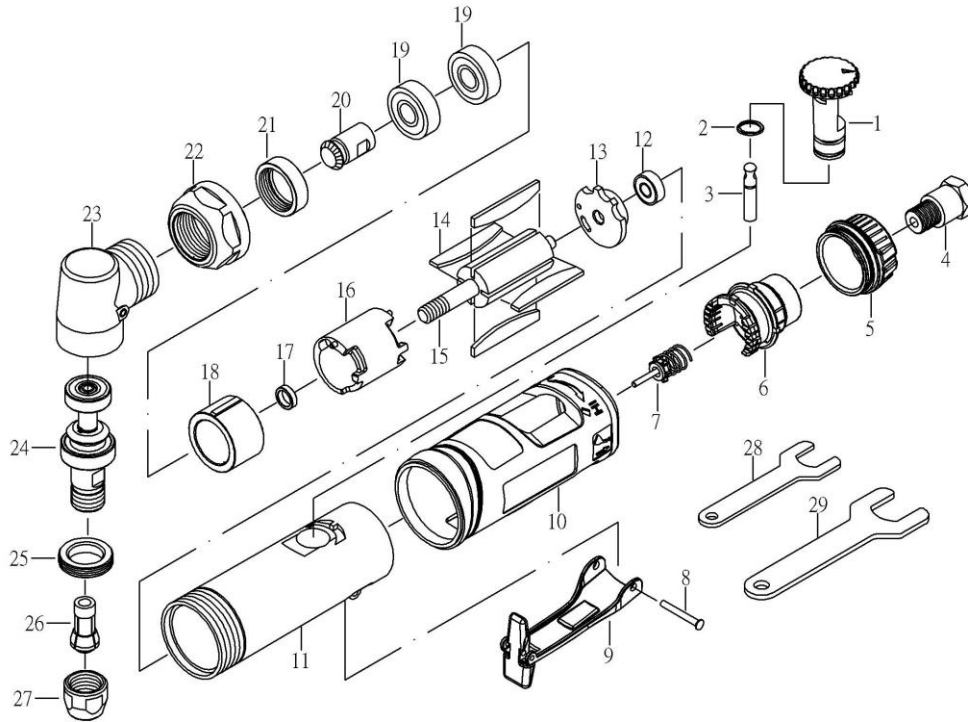


MINI AIR ANGLE DIE GRINDER



PARTS LIST

NO	PARTS NO	DESCRIPTION	Q'TY
1	ST120A01AS	REGULATOR SET	1
2	OB-30	SNAP RING	1
3	ST316003AS	VALVE STEM SET	1
4	70009	AIR INLET	1
5	ST12010BAS	EXHAUST SLEEVE SET	1
6	ST12030B	MUFFLER	1
7	ST200A44-1AS	VALVE SET	1
8	12012.1	PIN	1
9	ST120A13	LEVER	1
10	ST120A16-2	PROTECTING RUBBER	1
11	ST120A17	HOUSING	1
12	20312	BEARING (696ZZ)	1
13	ST12017B	REAR PLATE	1
14	12019	ROTOR BLADE	4
15	ST120K20	ROTOR	1

Consumable parts No. 7, 12, 19

NO	PARTS NO	DESCRIPTION	Q'TY
16	ST12021BAS	CYLINDER SET	1
17	20022	BEARING SPACER	1
18	ST12023A	FRONT PLATE	1
19	21024	BEARING (608ZZ)	2
20	12525-1	BEVEL GEAR (11T)	1
21	21026	NUT	1
22	ST12527	CLAMP NUT	1
23	ST12528AAS	ANGLE HOUSING SET	1
24	ST12532AS	SHAFT SET	1
25	12534	CLAMP NUT	1
26	21036	COLLET	1
27	21037	COLLET NUT	1
28	BT21038-14	STOP SPANNER 14M/M	1
29	BT21039-19	STOP SPANNER 19M/M	1

HAD-35125

DEC. 2023