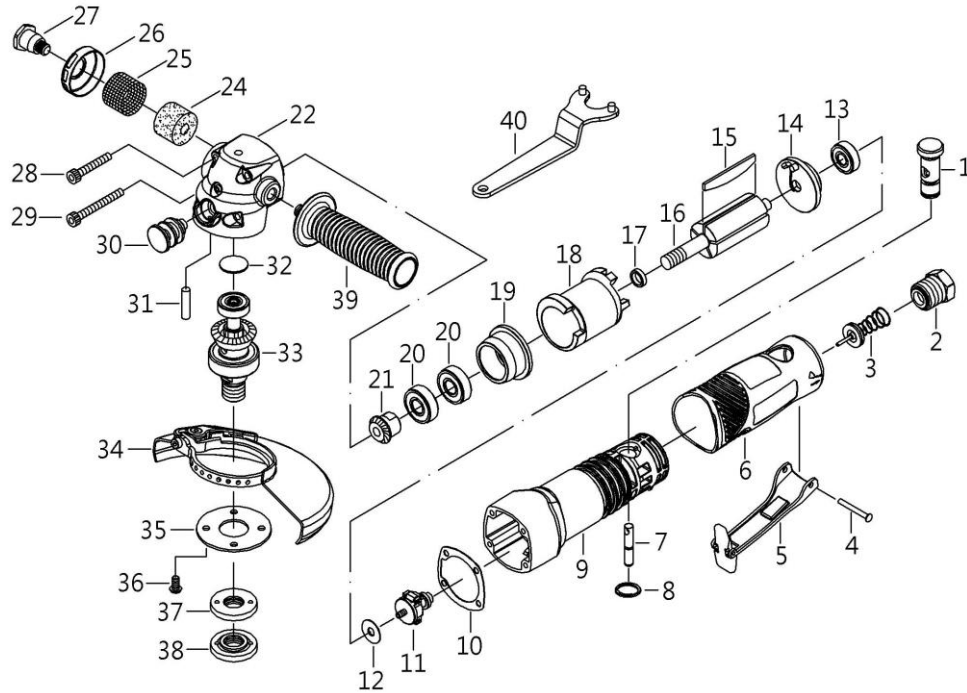


4-1/2" 100° HEAVY DUTY ANGLE GRINDER / CUTTER



PARTS LIST

NO	PART NO	DESCRIPTION	QTY
1	ST87001AS	REGULATOR SET	1
2	70426	AIR INLET	1
3	OBS08AS	VALVE SET	1
4	12012.1	SPRING PIN	1
5	ST200A13	SAFETY THROTTLE	1
6	ST85508A	PROTECTING RUBBER	1
7	ST288306AS	VALVE STEM SET	1
8	OB-30	SNAP RING	1
9	ST85504-2	HOUSING	1
10	ST85559	PACKING	1
11	ST87027AS	GOVERNOR CAGE SET	1
12	ST88051-1	WASHER	1
13	21024	BEARING (608ZZ)	1
14	ST85030AS	REAR PLATE SET	1
15	ST85031	ROTOR BLADE	5
16	ST85032	ROTOR	1
17	ST85046	BEARING SPACER	1
18	ST85534	CYLINDER	1
19	ST85035	FRONT PLATE	1
20	70048A	BEARING (6000ZZ)	2

HAG-8545R

DEC. 2023

NO	PART NO	DESCRIPTION	QTY
21	ST85531B	BEVEL GEAR (13T)	1
22	ST855A38-4AS	ANGLE HOUSING SET	1
24	ST87041	SILENCER	1
25	ST85535	STAINLESS MESH	1
26	ST85536	EXHAUST SLEEVE	1
27	ST85537	ADAPTER	1
28	70415-2	SCREW (M5*45L)	2
29	AGD100-26	SCREW (M5*55L)	2
30	ST85540AS	SPINDLE LOCK SET	1
31	ST85546	PIN (3*12L)	1
32	70412-1	SPACER	1
33	ST85551.1BAS	SHAFT SET (M14*2P)	1
34	ST855A37A-2AS	DISC COVER SET (4-1/2")	1
35	ST80537-3	FACE PLATE	1
36	ST70403A	SCREW	4
37	ST85562.1A	DISC NUT (M14*2P)	1
38	ST85563.1A	DISC NUT (M14*2P)	1
39	BT85557	HANDLE	1
40	BT87057.1	DISC SPANNER (180mm)	1

Consumable parts No. 13, 15, 20, 21, 33