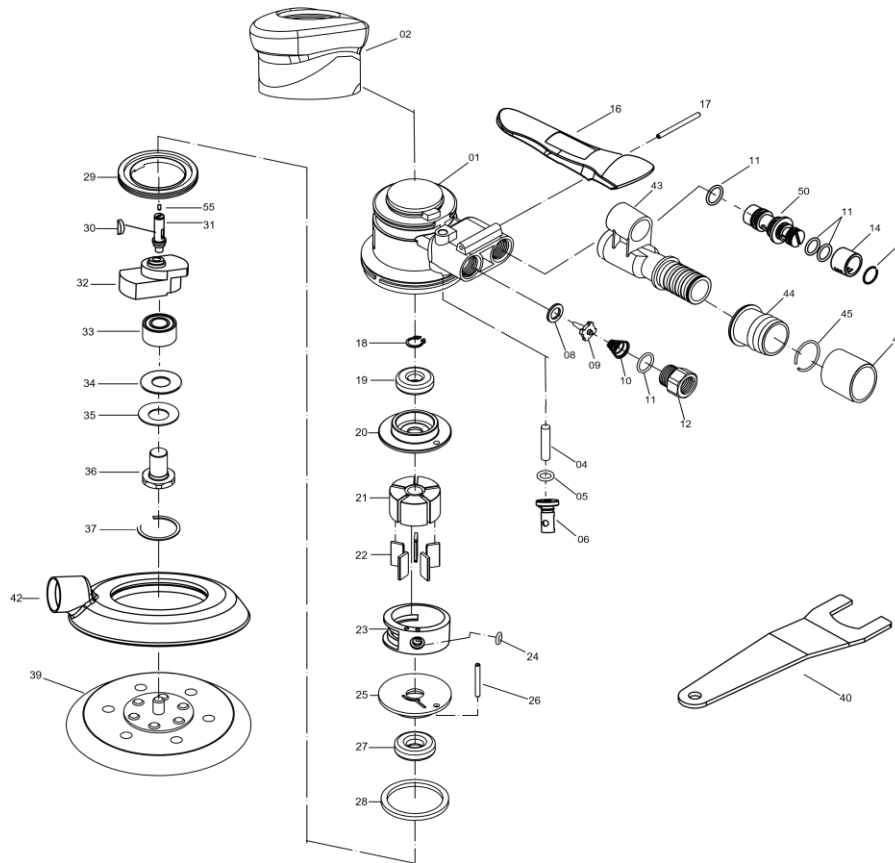


Random Orbital Sander (Central -Vacuum)



NO.	DESCRIPTION	Q'T Y
1	Housing	1
2	Grip	1
4	Stem	1
5	O-Ring	1
6	Control	1
8	Retainer	1
9	Valve	1
10	Spring	1
11	O-Ring	4
12	Air inlet	1
14	Exhaust Cover	1
15	C-Ring	1
16	Lever	1
17	Pin	1
18	C-Ring	1

Consumable parts No. 27, 33

NO.	DESCRIPTION	Q'T Y
19	Bearing	1
20	End Plate	1
21	Rotor	1
22	Rotor Blade	5
23	Cylinder	1
24	O-Ring	1
25	Front Plate	1
26	Pin	1
27	Bearing	1
28	O-Ring	1
29	Lock-Ring	1
30	Key	1
31	Spindle	1
32	Balance	1
33	Bearing	2

NO.	DESCRIPTION	Q'T Y
34	Washer	1
35	Washer	1
36	Pad Retainer	1
37	C-Ring	1
39	PAD (150mm)(6H)	1
40	Spanner	1
42	Housing Cover	1
43	Vacuum Adapter	1
44	Hose Adapter	1
45	C-Ring	1
46	Dust Tubt Adapter	1
50	Exhaust Adapter	1
55	Screw	1

HAS-505-CV6
HAS-525-CV6

DEC. 2023