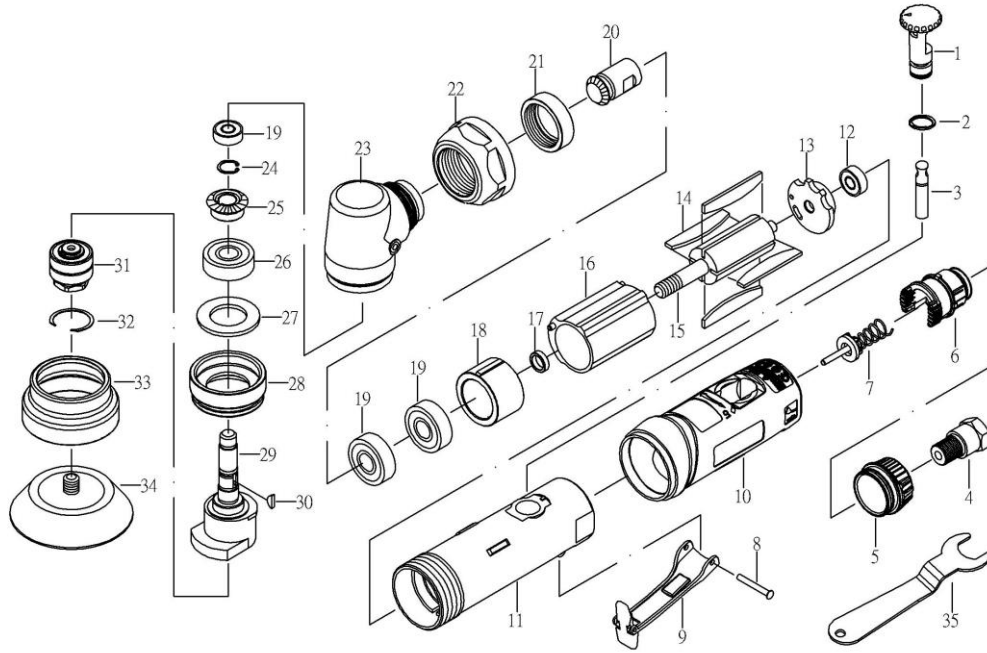


3" ORBITAL SANDER



PARTS LIST

NO.	PARTS NO.	DESCRIPTION	QTY
1	ST200A37AS	REGULATOR SET	1
2	OB-30	SNAP RING	1
3	ST200A33AAS	VALVE STEM SET	1
4	70009	AIR INLET	1
5	ST20010BAS	EXHAUST SLEEVE SET	1
6	ST20022B	CONE MUFFLER	1
7	ST200A44AS	VALVE SET	1
8	12012.1	SPRING PIN	1
9	ST200A13	LEVER	1
10	ST-200A14BG	PROTECTING RUBBER	1
11	ST200A15	HOUSING	1
12	20312	BEARING (696ZZ)	1
13	ST70017	REAR PLATE	1
14	20019	ROTOR BLADE	4
15	ST288321	ROTOR	1
16	ST70021AS	CYLINDER SET	1
17	20022	BEARING SPACER	1
18	ST21023	FRONT PLATE	1

HAS-D50232

DEC. 2023

NO.	PARTS NO.	DESCRIPTION	QTY
19	21024	BEARING (608ZZ)	3
20	ST23025.1	BEVEL GEAR (12T)	1
21	21026	NUT	1
22	ST21027	CLAMP NUT	1
23	ST23229AS	ANGLE HOUSING SET	1
24	ST288336A	SNAP RING	1
25	ST23030.1	BEVEL GEAR	1
26	70048A	BEARING (6000ZZ)	1
27	ST23233	WASHER	1
28	ST23234	CLAMP NUT	1
29	ST23235	MOTOR SHAFT BALANCER	1
30	ST21033	KEY	1
31	ST23243AS	SHAFT SET	1
32	SX-35	SNAP RING	1
33	ST23244	SHROUD	1
34	BTOB-38-3VOY	3" PAD	1
35	SX-48	STOP SPANNER (17MM)	1

Consumable parts No. 12, 14, 19, 20, 24, 25, 26, 31, 34