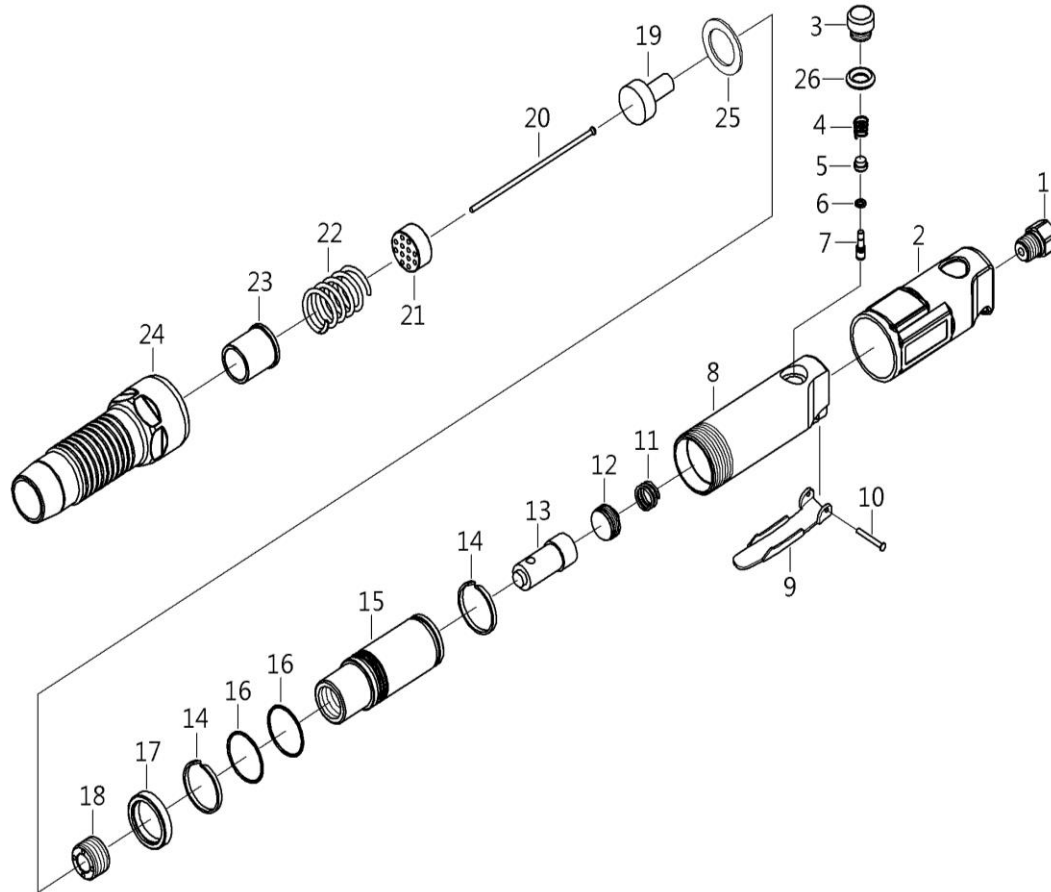


NEEDLE SCALER (19 NEEDLES)



PARTS LIST

NO	PARTS NO	DESCRIPTION	Q'TY
01	70426	AIR INLET	1
02	HM20202	PROTECTING RUBBER	1
03	70427	SCREW	1
04	70428	SPRING	1
05	70429	VALVE STEM BUSHING	1
06	OB-04	O-RING	1
07	HM20207	VALVE STEM	1
08	HM20208	HOUSING	1
09	70013BK	LEVER	1
10	70432BK	SPRING PIN (3*24)	1
11	HM20211	SPRING (34*16L)	1
12	HM20212	REAR VALVE BLOCK	1
13	HM20213	PISTON	1

Consumable parts **No. 20: (19 pcs)**

HNS-202

DEC. 2023

NO	PARTS NO	DESCRIPTION	Q'TY
14	HM20214-1	WEAR RING (3*1.5*110L)	2
15	HM20215	CYLINDER	1
16	HM20216	O-RING	2
17	HM20217	RUBBER RING	1
18	HM20218	CHISEL BUSHING	1
19	HM20219	NEEDLE DRIVER	1
20	HM20220	NEEDLE (180L)	19
21	HM20221	NEEDLE HOLDER	1
22	HM20222	NEEDLE HOLDER SPRING	1
23	HM20223	NEEDLE BUSHING	1
24	HM20224	NEEDLE TUBE	1
25	HM20225	WASHER	1
26	50331	O-RING (P11)	1